



e-TENDER NOTICE

Reference No.: SU/ET/2024-25/05

Date: 15/07/2024

E-Tender Notice for Annual Rate Contract at Sikkim University, Gangtok

Composite bids are invited from the fabricators fulfilling the following eligibility criteria:

1. The fabricator authorized by the OEM fulfilling the eligibility criteria mentioned in specifications are only eligible to apply.
2. Since the nature of work would be urgent the date of completion of work accorded through each work order would be 10 days from the date of award.
3. Authorized supplier/vendor must have qualified assembler with experience of minimum 5 years.

for “**Annual Rate Contract at Sikkim University**” as per the terms and conditions mentioned below:

General Terms and Conditions

1. The fabricator should have valid authorization from the OEM on the last tender submission date.
2. The bid should be submitted in compliance to the NIT at: <https://eprocure.gov.in/eprocure/app>
3. To participate, the bidding firm should be registered in the online e-tender portal and have a valid authorized Digital Signature Certificate – (DSC). Bids submitted otherwise shall not be accepted.
4. An amount of Rs.1000/- (non-refundable cost of downloaded tender form) and Rs. 60,000.00 (Earnest Money Deposit) in the form of NEFT should be remitted to the account details mentioned below:
 - I. Account Holder's Name: Sikkim University
 - II. Account No: 112010100231541
 - III. Account Type: Savings Account
 - IV. IFS CODE: UTIB0000112
 - V. Branch: Gangtok [SK]
 - VI. Bank Name: AXIS Bank
5. The bids shall be uploaded in two cover systems: Technical and Financial.
 - 5.1. The technical documents required shall be as follows:
 - I. Company Profile in the given format
 - II. Technical bid with item details and eligibility fulfillment with respect to specification as mentioned below.
 - III. Scanned copy of signed and sealed Tender form and authorization letter for signatory person.
 - IV. Scan copy of company/firm registration certificate.
 - V. Scan copy of PAN Card and G.S.T
 - VI. EPF, ESIC, Enlistment as a Contractor (if applicable), documents supporting eligibility criteria including copy of work order and completion certificate of similar work.
 - VII. The place of work at Yangang, South Sikkim. The vendor/bidder/fabricator shall submit the supporting document to prove the evidence of successful completion of work awarded in hilly area or remote inaccessible area.**

5.2. The financial documents required shall be as follows:

- I. BoQ – (Financial Bid in prescribed format). Bidders are requested to enter all the required values in both the BoQs (BoQ1 and BoQ2) of the Financial Bid.

To assist the bidders a checklist has been provided in this document as Enclosure-I.

6. Bids are to be submitted through online mode at <https://eprocure.gov.in/eprocure/app> **only no hard copy is to be sent to the University.**
7. The bidder registered with Micro and small-scale enterprises (MSEs) are exempted from submitting bid security/EMD based on guide line issue by department of Micro, small and medium Enterprises. (MSME). If EMD fees are claimed for exemption, then the relevant MSME certificate supporting the exemption claim may be uploaded along with the tender document with Annexure I duly signed on each page by authorized person of firm. The bidder should be registered in fabricator category for seeking exemption in the category.
8. Performance Security on the awarded value will be retained from the bill/invoice of the contractor, supplier, vendors, etc at the time of payment so as to ensure the performance of contractor. Performance Security will be released to the successful bidder after 365 days beyond the date of completion of work. The rate of deduction of Performance security will be 3% of contract/P. O value as per Universities circular No 11/2021 dated 10.02.2021.
9. The rate should be quoted including all costs such as labour charges, headload, carriages, materials, GST, SNT, CESS, etc. No other extra charges will be entertained under any circumstances over and above the total cost quoted in the financial bid. The rate quoted is also deemed to be inclusive of any additional support required for the partition work. No additional payment shall be made for additional components required to support any partition.
10. Payment will be made after successful completion of the work. No part or advance payment shall be made.
11. No interest shall be paid by the university on any deposits held as security against the work.
12. The Bidder shall arrange insurance to cover all risks in respect of their personnel, materials and equipment belonging to the Contractor or its sub-contractor during the currency of the contract. Bidder, if selected, shall at all time during the currency of the contract provide, pay for and maintain the following insurance amongst others:
 - (a) Workmen compensation insurance
 - (b) Employer's Liability Insurance
 - (c) General Public Liability Insurance covering liabilities including contractual liability for bodily injury, including death of persons, and liabilities for damage of property. This insurance must cover all operations of the fabricator required to fulfill the provisions under this contract.
13. The fabrication work may also be required to be executed at various hired buildings of Sikkim University at Gangtok, Sikkim. The quoted rates by bidders shall be applicable for the work executed by him in the hired building at Gangtok. Hence the bidder is advised to visit the Yangang campus as well as the hired building before bidding to access the location of the buildings which may include head loads and carriages etc. No additional escalation claims by the contractor would be entertained.
14. Participating firms may contact Engineering cell for any queries related to the tender at sucampus@cus.ac.in.

15. Arbitration of all disputes related to the work would be done in the Gangtok jurisdiction, Sikkim. The Arbitration will be governed by the latest arbitration act. The sole arbitrator shall be appointed by the University from the empaneled list of arbitrator/dispute resolution by CPWD/State/Central/Highcourt etc. Bidders accept the condition by bidding the tender and will have no further claim on this condition.
16. Conditional bids are summarily rejected.
17. The Registrar, Sikkim University, has the power to reject any tender or all tender or extend the date of opening of tender without citing any reasons. Decision of The Registrar, Sikkim University will be final and binding to all tenderers.

Specific Terms and Conditions

1. The value of Annual Rate Contract could not be accessed at the moment considering the location and planning of shifting by the University. The work will be assigned to the successful bidder on a piecemeal basis. The bidder has to take-up the work base on the requirement of the University. The payment shall be made as per actual work executed by the bidder and measured by the Engineer of the University based upon the rate quoted and accepted.
2. The ARC (Annual rate contract) involves the partitioning work (creation of soft partition) including doors, windows, fixing of locking arrangement, hinges and other items which are required to make it functional smoothly. Any other task related to smooth functioning not mentioned shall be deemed to be included in the rate quoted by the bidder.
3. Qualification criteria:
 - (a) Bidder should have successfully completed at least one work of 7 lakhs in each category of items for which the ARC rates are invited in the last 5 years. If the bidder is qualified for only one or two categories, then the bidder is eligible to bid for the particular category only. The bidder should submit the undertaking for which he has submitted the bids. If the bidder has not mentioning the category he has bid for, then the bids will be considered for all items mentioned in the tender and if the bidder is not qualified in a particular category then the entire bid will be rejected.
 - (b) Similar work shall mean:

“Partition work for similar work mentioned in the specification for commercial, office buildings, school, Institute, University, and commercial establishments etc.”
 - (c) The tenderer shall have to upload an Undertaking on the letter head of firm as under: -

I/We undertake and confirm that eligible similar works(s) has/have not been executed through another contractor or sub-vendor or by means of subletting. Further that, if such a violation comes to the notice of University, then I/we shall be debarred for tendering in Sikkim University in future forever. Also, if such a violation comes to the notice of Sikkim University before the date of start of work or during the execution of work, the Engineer- in-Charge shall be free to forfeit the entire amount of Earnest Money Deposit and cancel the awarded work as the case may be.
 - (d) The supporting documents with respect to the above similar work (work orders and completion certificates issued by the concerned agency) along with other requisite documents mentioned in this tender document needs to be furnished by the bidder.
 - (e) The document supporting that the bidder has experience working in hilly terrain.
 - (f) Any bidder who has previously worked with University and has a history of delayed work and/or has been imposed with a delay compensation shall be disqualified and the bid summarily rejected.
4. This AMC will be valid for tenure of 1 year from date of signing of the agreement subject to further extension based on the quality of service provided to the satisfaction of the University. If the quality

of work executed by bidder is found to be substandard at any instant, University may terminate this contract with 15 days' prior written notice to vendor to this effect.

5. The various partition works should be completed within the mentioned time frame in the work order failing which delay penalty will be charged @ 2% per week subject to a maximum of 10% on the estimated. The University reserves the right to cancel the work order of the ARC contractor and issue the same to another vendor in case of poor performance and delay.

6. Scope of work:

The providing and fixing of partitions as per the specification of work in the existing building of the university. The work is to be carried out in the time allotted based on the academic session of classes and office hours.

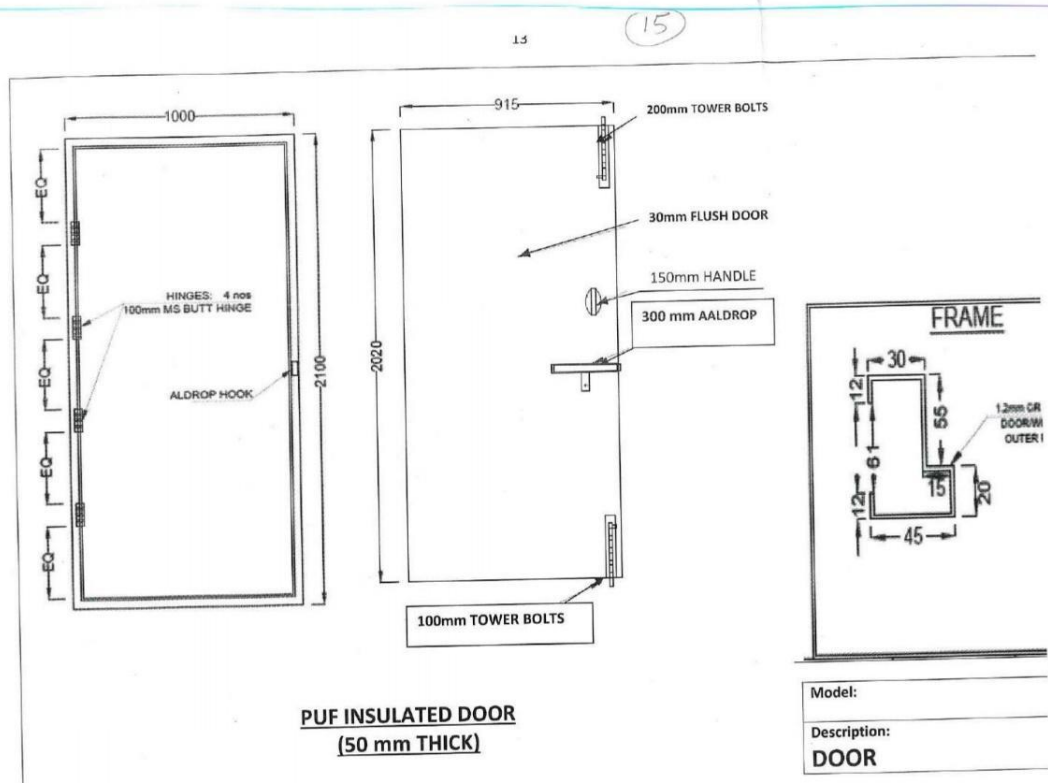
The work executed shall able take the electrical wiring work, switch and socket where ever required by the electrical maintenance contract for wiring, fixing of bulb, tube light, power socket, geysers, mcbs etc .

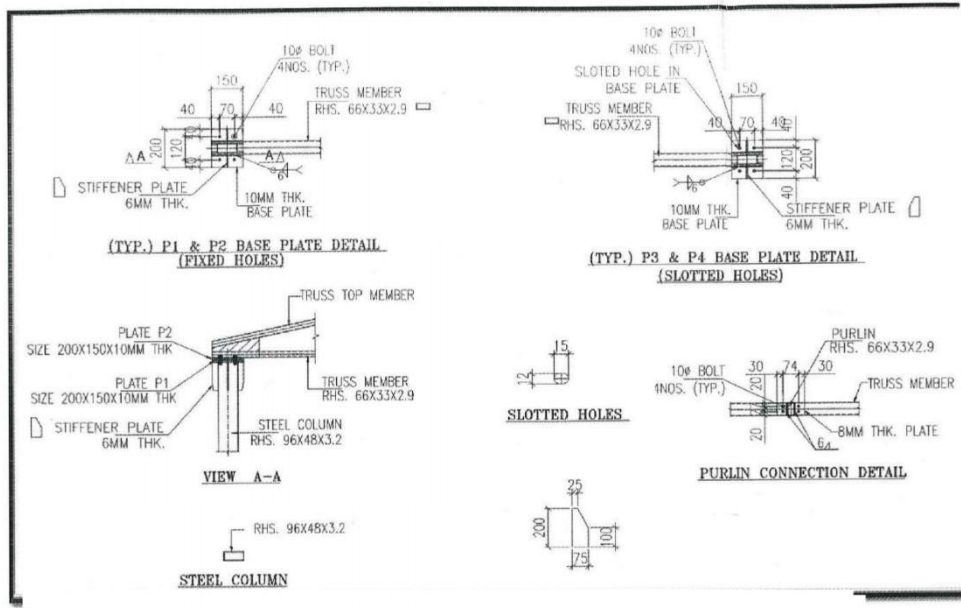
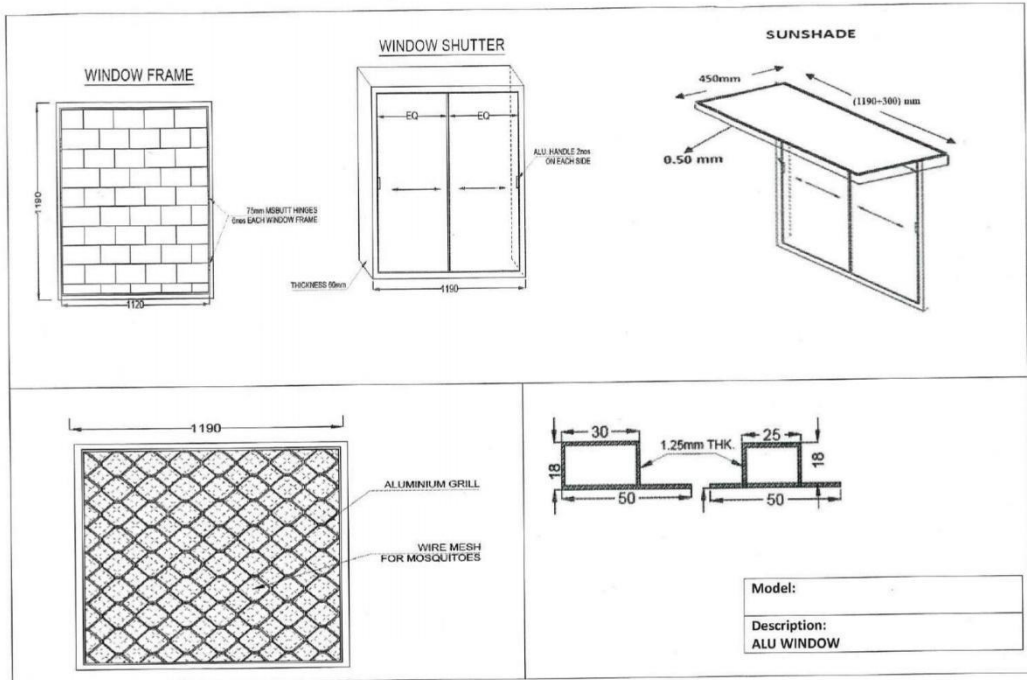
SL No	Particular of the work
1	Rate are invited for UPVC partition as per DSR item No 9.141 to DSR item No 9.174 (the rate shall included providing and fixing in position at Site mentioned in the tender document). Unit of measurement is as per specification. The bidder should check that the product quoted by him should exactly matches the specification of item as per DSR. The deviation in items shall not be accepted, except under exceptional circumstances. (bidder has to quote the rates in the % above or below/at par the price of DSR 2023)
2	Composite rate is invited for Puff panel fabricated door as per the specification given below. The rate quoted shall include construction of prefabricated puff panel including erection all complete including windows.Unit in Sqm (bidder has to quote the rate as for the partition which includes fabrication, erection , door windows etc)
3	Extra for sun shade as per drawing and specification (per unit)
4	Extra for false ceiling as per the drawing and specification (per sqm)
6	Extra for providing and fixing/pasting the linoleum flooring of 2mm thick as per approved colour and pattern (Rate in per sqm)
7	Providing and fixing aluminium work for doors, windows, ventilators and partitions with extruded built up standard tubular sections/ appropriate Z sections and other sections of approved make conforming to IS: 733 and IS: 1285, xing with dash fasteners of required dia and size, including necessary filling up the gaps at junctions, i.e. at top, bottom and sides with required EPDM rubber/ neoprene gasket etc. Aluminum sections shall be smooth, rust free, straight, mitred and jointed mechanically wherever required including cleat angle, Aluminium snap beading for glazing / paneling, C.P. brass / stainless steel screws, all complete as per architectural drawings and the directions of Engineer-in-charge. (Anodised upto 50 micron,Glazing float or frosted(4 to 5mm as per requirement), Fixed and movable portion shutter, including paneling by 12 mm thick (as per IS) prelaminated particle board or other water proof board, lock, hinges,hydraulic floor spring(if required), fixing SS 304 window stays(if required)for aluminum window/sliding window,cp brass screw,angle cleats, handle of approved pattern ,EPDM/neoprene gasket, stopper and dash fasteners is included in this item) and any other item required for completing the partition work which is not mentioned in the description but required for smooth functioning of the partition, door ,window etc. Composite rate is to be quoted in per sqm)
8	Extra for false ceiling within partition area as per DSR item 21.5 of 2023, including false ceiling tiles of 600mmx600mm. The rate is to quoted in Sqm

Table 2 Specification of Puff panel partitions

CIVIL WORKS

Foundation, Flooring & Finishing Works - to be provided by Indentor / Consignee as per the Drawings *The drawing is to be prepared by bidder and submit to client for approval*





Connection Details

TECHNICAL SPECIFICATIONS FOR PARTITION

DESCRIPTION OF WORK

Construction of Prefabricated Shelter using PUF Panels, Steel Structure, False Ceiling, Door & Aluminium windows at various locations complete in all respects as per the concept drawings attached including design, supply, installation, electrical wiring works, as per the general specifications as detailed below.

SHELTER WALLING

The wall panels shall be made up of 0.5mm thick(TMT)PPGI ribbed sheet on both sides with a layer of rigid CFC free polyurethane foam of density $40\text{kg} \pm 2\text{kg/cum}$ as insulation in between. The polyurethane foam shall be of latest IS. The thickness of PU foam layer shall be **49mm for having 50 mm thick PUF panel**. Outside colour of wall panel may be Grey, Olive, Green, or as per buyer requirement. The panels will be provided with tongue and groove joint and will be interlocked using cam lock systems. Gable ends will also be covered with same panels as in the main walls.

The wall panels exposed edges at bottom & top side shall be covered using bottom & top u track of size 53mm X 35mm X 0.5mm made out of PPGI Sheet & shall be secured to the wall panels using pop rivets. The U track at bottom shall be fixed on to the concrete plinth using expandable fasteners of 8mm diameter & 80 mm in length provided at a spacing of 450 mm c/c.

The PUF Panels shall be vertically joined together by tongue & groove arrangement all along the length. The wall panels shall be fixed to the steel frame structure on top & bottom using Nut/Bolts tightened through the steel frame cleats for wall strength & sturdiness. Wall Panels at Gable ends will also be covered with the same single panels without any horizontal joint.

The joints all around the Wall Panels shall be joined & covered by means of PPGI flashing of size 50x50x0.50mm fixed using pop rivets at a minimum distance of 200 mm on all exposed faces. All the wall joints shall be sealed with transparent/white colour silicon sealant.

The PPGI Sheets shall be of minimum 240 MPA Steel Grade & shall have a Zinc coating of minimum 120 GSM as per IS 277/1992, 5-7 microns of epoxy primer on both sides of the sheet & polyester top coat of 18-20 microns on one side / outer side. The PPGI Sheets / PUF Panels shall have a protective guard film of minimum 20-25 microns to avoid scratches to finished panel during transportation.

FALSE CEILING The rates of this item will be quoted separately as per quoting sheet

False Ceiling shall be provided in the living area only (Excluding Verandah) using **40 mm** thick PUF panels made up of **0.5mm thick PPGI** sheet with guard film having ribbing pattern for aesthetic appearance on both sides with a uniform layer of **39 mm** thick rigid CFC.

The False Ceiling Panels shall be fixed & supported on to the steel grid frame work consisting MS Painted L & T Sections. The False Ceiling Grid shall be fixed to the structural steel frame work of shelters using cleats & Nut/ Bolts. The Size of L angle will be 40x40x5mm & the size of T will be 65x65x6mm. The Joints all around the Wall Panels & False Ceiling shall be joined & covered by means of PPGI flashing of Size 50x50x0.60mm fixed using pop rivets at a minimum distance of 200 mm. All the false ceiling joints shall be sealed with transparent/white colour silicon sealant. The false ceiling panels will have tongue and groove arrangement and shall be interlocked using cam lock systems.

PUF SPECIFICATIONS

All material required for the manufacture of shelter shall be new and shall comply with relevant Bureau of Indian Standard Specification.

- All panels should have a tongue & groove profile on all joining edges with minimum projection 10mm high and 30mm wide for airtight sealing of joints.
- All Panels will be manufactured in single batch as per approved panel layout Drawings using the above materials.
- Original purchase voucher and test certificate will be submitted and the purchaser can carry out inspection of any one panel from the lot at manufacturer premises to ensure the chemical and physical properties.
- The colour inside and external wall panel will be as per buyer requirement of approved shade.

Sheets shall be of minimum 240 MPA Steel grade & shall have a Zinc Coating of minimum 120 GSM as per IS 277/1992, 5-7 Microns of epoxy primer on both sides of the Sheet & Polyester top Coat of 18-20 microns on one side/outer side. The PPGI Sheets/PUF Panels shall have a protective guard film of minimum 20-25 microns to avoid scratches to finished panel during transportation. Provision for outlets of Pipes of Bukhari in Roof and False Ceiling in cold region as per requirement of the buyer.

FLASHING

It will be responsibility of the contractor to fix & cover all joints using proper & suitable Size PPGI Flashing In 0.50mm Thickness. The PPGI Sheets Shall Be Of Minimum 240 Mpa Steel grade & shall have a Zinc coating of minimum 120 gsm as per IS 277/1992, 5-7 Microns of Epoxy Primer on both sides of the Sheet & Polyester top coat of 18-20 microns on one side / outer side. The PPGI Sheets / PUF Panels shall have a protective guard film of minimum 20-25 microns to avoid scratches to finished panel during transportation.

DOORS (AS PER DRAWINGS)

Pressed Steel profile frame with PUF Panel Doors Shutters shall be provided in prefab structure as per the sizes given in the Drawing. Frame shall be made from PUF Insulated door 50 mm with 1.25 MS frame of size 2100x1000mm outer dimension. The Door Frame will be made up of suitable designed pressed Steel Profile section duly painted in approved Colour in 1.25 mm thickness Cr Steel. The Door Internal Shutter will be made up of Panel covered with Aluminium Lipping all around. Each Door shall be provided with ISI marked Aluminium fittings such as **1 no. 300mm AAIdrop Bolt**, 2 Nos D Shaped Handles of 150 mm, **1 Nos Tower Bolt of Size 200mm**, 1 Nos Tower Bolt of Size 100mm. The Door Shutter shall be fixed to the frame using 4 Nos MS BUTT Hinges (**100 mm each**).

WINDOWS & SUNSHADES (AS PER DRAWINGS)

Aluminium 2 way sliding windows with fixed mesh from outside & Aluminium Grills with all fittings shall be provided as per the Drawings. The window frame of size 1200x1200mm will be manufactured using suitable Standard Aluminium hollow Sections / Profile. The Window shall be provided with 3 mm thick clear Poly Carbonate Sheet fixed using EPDM Rubber Beading. The Window shall also be provided with Stainless Steel Mesh of 1.5mm Aperture & Standard Grills fixed from outside of Window using suitable size Aluminium Flat & Rivets. 08 nos Windows for 18x64 and 4 nos. Window for 18x32 is to be provided as per drawing.

SUNSHADE *The rates of sunshade is to be quoted separately*

Suitable Sunshades made out of 0.50mm PPGI Sheets will be provided to all external Windows and doors not covered under Verandah. The Minimum projection for the sunshades will be 450 mm and 300 mm wider than the width of the opening. It should be suitably fastened with the main structure.

CURTAIN ROD ARRANGEMENT

25 mm diameter mild steel powder colour coated fancy type drapery rod with fixing arrangements will be provided for all openings (Door and Windows). The drapery rod should be minimum 450mm longer than width of the opening.

STRUCTURAL STEEL FRAME WORK (AS PER DRAWING)

The Structural Steel frame work shall consist of RHS Sections conforming to IS 4923/1997. The Frame Work shall consist of Trusses, Purlins, and Column Etc. All the steel work shall be given 2 coats of Zinc Chromate Primer. The Steel work shall be painted with 2 coats of Synthetic Enamel Paint of approved shade & make. Main Shelter column of Size 96 X 48 X 3.2 mm IS 4923:1997 (RA 2013) provided at a distance as per drawing. The Column Bottom End Plate of Size (as per drawing) shall be fixed to the concrete floor using 4 No's Foundation Bolts of 12mm Dia & 300 mm long with suitable Washers & Nut & Bolts. The column shall also have top plate of size (as per drawing) for connection with Truss Plate. The Verandah Column are made using RHS of 66 X 33 X 2.9 mm.

Mosquito Wire provision shall also be provided. 3 Nos GI Wire of 5mm dia shall be provided at a standard height & tightened at the Gable Ends with the help of suitable Nut, Bolts & Washers.

The Steel Structure sections mentioned above are minimum Sizes to be used & indicative. Higher section sizes & thickness can be adopted. The Shelters will be designed for the Design Parameters & Drawings as indicated in the Specifications mentioned above.

WORK MAN SHIP

- (a) **Connection:** Welded connection will be provided unless otherwise specified in the Drawings. The welded connections will be conformed to IS 806-1968
- (b) **Fabrication:** The General Provisions in section 11 of IS 800 of 1984 will apply to all types of steel being used for fabrication.
- (c) **Various Fasteners and Fittings:** Fasteners And Fittings of mild Steel shall be supplied unless otherwise specified in and shall be fixed where required. Fastening means will be provided for the items to be fitted at the time of erection. The Fasteners supplied shall conform to relevant BIS Specification.
- (d) **Finishes:** All Steel work will be given two coats of Red Oxide Zinc Chromate Primer by the manufacturer in the factory. All the Steel items shall be painted using 2 coats of synthetic Enamel Paint of approved shade. All Paint Materials will be of Jenson & Nicholson/Berger/Asian make.

Additional condition of contract:

1. Canvassing whether directly or indirectly, in connection with tenderers is strictly prohibited and the tenders submitted by the contractors who resort to canvassing will be liable to rejection.
2. The competent authority of University does not bind itself to accept the lowest or any other tender and reserves to itself the authority to reject any or all the tenders received without the assignment of any reason. All tenders in which any of the prescribed condition is not fulfilled or any condition including that of conditional rebate is put forth by the tenderer shall be summarily rejected.
3. The competent authority reserves to himself the right of accepting the whole or any part of the tender and the tenderer shall be bound to perform the same at the rate quoted.
4. The tender for the works shall remain open for acceptance for a period of ninety (90) days from the date of opening of tenders.
5. The rates quoted by bidder shall remain fixed till entire duration of AMC period and the completion of work including extension given by University based on the justified hindrances (if any). No request for revising the rates shall be entertained by University in any case.
6. Specification of material to be Used and for which the rates are quoted by bidder:
 - a. Best specification amongst Sikkim Schedule of Rates 2020 and/or latest edition of DSR.
 - b. For items unavailable in DSR/SOR 2020, best market rate certified by the Engineer of the University. Such items which are not covered in SOR/DSR then the rate shall be derived by market rate analysis and shall be acceptable to the bidder.
7. The contractor shall make his own arrangement for the water & Power connect required for execution of work wherever required. Nothing extra shall be paid to the contractor on this account.
8. The work shall be carried out in such a manner so as not to interfere/or effect or disturb the functioning of the University.
9. The work shall be carried out in the manner complying in all respects with the requirement of relevant rules and regulations of the local bodies under the jurisdiction of which the work is to be executed and nothing extra shall be paid on this account.
10. The contractor shall maintain in good condition all work executed till the completion of the entire work entrusted to the contractor under this contract and nothing extra shall be paid on this account.
11. No claim whatsoever for idle labour, additional establishments, costs of hire and labour charges for tools and plants etc. would be entertained under any circumstances and under force majeure condition.
12. Brand, make and specification of all material to be incorporated in works shall be approved from the Engineer-in-Charge before implementation of the same in the work.

**Sd/-
Registrar**

CHECKLIST

SI No.	Descriptions	Enclosed (Yes/No)
1	Company Profile – Annexure I format	
2	Details of similar work executed(work order and completion certificate)	
3	Undertaking for similar work executed	
4	Signed and sealed copy of Tender document	
5	Letter of authorization & power of attorney for signing the bid	
6	Company registration/enlistment certificate	
7	Company Pan and GST certificate	
8	EPF & ESIC registration details and documents	
9	Details of EMD and Tender Fee	
10	Financial Bid	

Note: All page(s) of Annexure I has to be printed in official letter head and have to be duly signed and stamped by the authorized signatory.

Annexure-I
COMPANY PROFILE

Supplier's Ref. No..... Dated.....

Tender Reference No.: SU/ET/2024-25/05 Date: 15.07.2024

FOLLOWING DETAILS ARE TO BE FURNISHED BY THE BIDDING FIRM

1. Name of the Firm:
2. Address of the Firm:
3. Contact no:
4. Email address:
5. Registration details:
6. Permanent Account Number:
7. G.S.T number :
8. Bank Account Number:

Bank name:
Branch name:
IFSC code:

9. Tender fee details –

Name of Bank NEFT No.
Date: Amount.....

10. EMD details –

Name of Bank NEFT No.
Date: Amount.....

Declaration:

I/We hereby declare that I/We have read & understood all the terms & conditions mentioned in the E-tender notice and I/We undertake myself/ourselves to abide by them.

I/We further, declare that all the information given above is true.

Name:

Designation:

[Official Seal with authorized signature]

Place:

Date:

Format for Power of Attorney for signing of BID/tender

Know all men by these presents, We..... (name of the firm and address of the registered office) do hereby irrevocably constitute, nominate, appoint and authorize Mr./ Ms (name), son/daughter/wife of..... and presently residing at, who is presently employed with us/ the Lead Member of our Joint Venture and holding the position of

....., as our true and lawful attorney (hereinafter referred to as the "Attorney") to do in our name and on our behalf, all such acts, deeds and things as are necessary or required in connection with or incidental to submission of our

BID for the "....." Project proposed or being developed by the Registrar, Sikkim University (the "Authority") including but not limited to signing and submission of all applications, BIDs and other documents and writings, participate in Pre-BID and other conferences and providing information/ responses to the Authority, representing us in all matters before the Authority, signing and execution of all contracts including the agreement and undertakings consequent to acceptance of our BID, and generally dealing with the Authority in all matters in connection with or relating to or arising out of our BID for the said Project and/ or upon award thereof to us and/or until the entering into of the EPC/lump sum Contract with the Authority.

AND we hereby agree to ratify and confirm and do hereby ratify and confirm all acts, deeds and things done or caused to be done by our said Attorney pursuant to and in exercise of the powers conferred by this Power of Attorney and that all acts, deeds and things done by our said Attorney in exercise of the powers hereby conferred shall and shall always be deemed to have been done by us.

IN WITNESS WHEREOF WE, , THE ABOVE NAMED PRINCIPAL HAVE EXECUTED THIS POWER OF ATTORNEY ON THIS DAY OF

For

(Signature, name, designation and address) of person authorized by

Board Resolution (in case of Firm/ Company)/ partner in case of

Witnesses: Partnership firm

1.

2.

Accepted

..... (Signature)

(Name, Title and Address of the Attorney) (Notarised)

Person identified by me/ personally appeared before me/

Attested/ Authenticated* (*Notary to specify as applicable) (Signature Name and Address of the Notary) Seal of the Notary Registration No. of the Notary

Date: ...

Place: